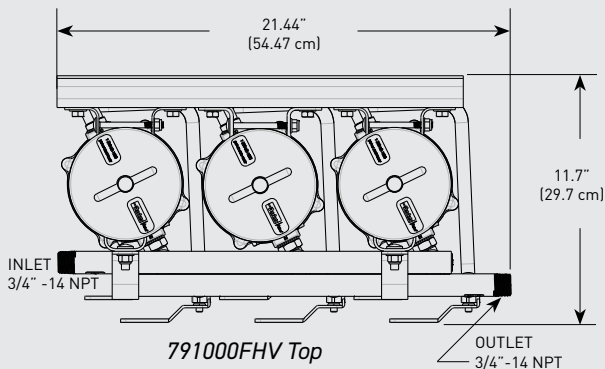


Specifications:

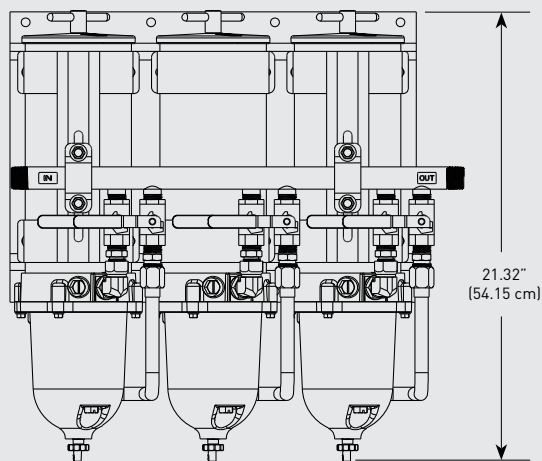
- Height: 21.32" (54.15 cm)
- Width: 21.44" (54.47 cm) with Bracket
- Depth: 11.7" (29.7 cm) with Bracket
- Weight: 52.0 lbs (24.0 kg)
- Ports: 3/4"-14 NPT
- Service Clearance (Top): 10.0" (25.4 cm)
- Vacuum Installation Recommended
- Maximum Pressure: 15 psi (1.03 bar)
- Max Flow Rate: 540 gph (2044 lph)

FH Model Superseded to FV Model.
See RSL0428 FH-FV Change Notification
for available assemblies crosses.

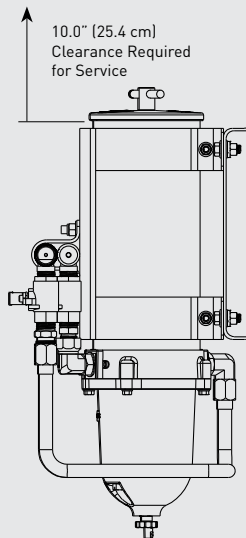
Dimensions:



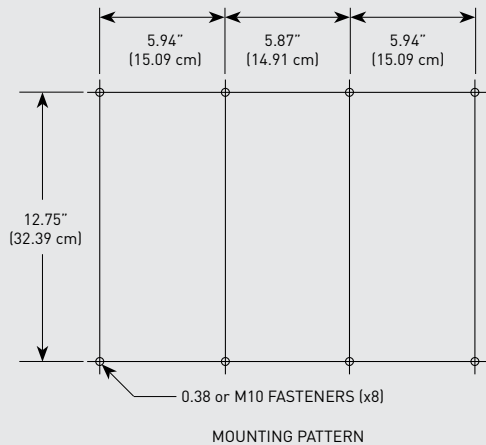
791000FHV Top



791000FHV Front



791000FHV Profile



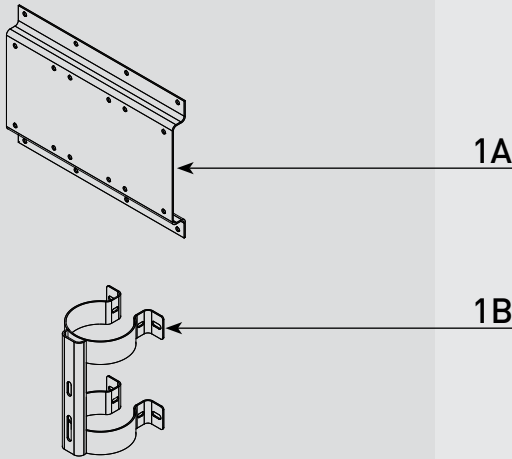
0.38 or M10 FASTENERS (x8)
MOUNTING PATTERN



PARTS

Turbine Series - 791000FHV

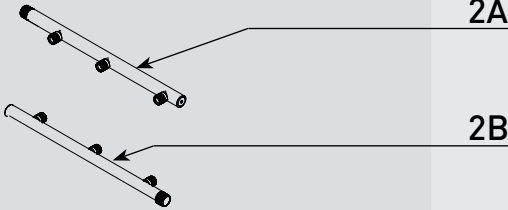
1



1A

1B

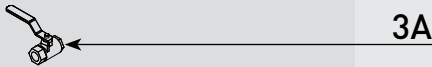
2



2A

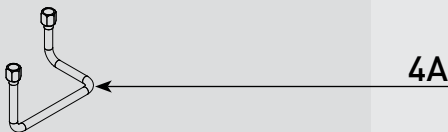
2B

3



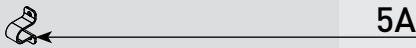
3A

4



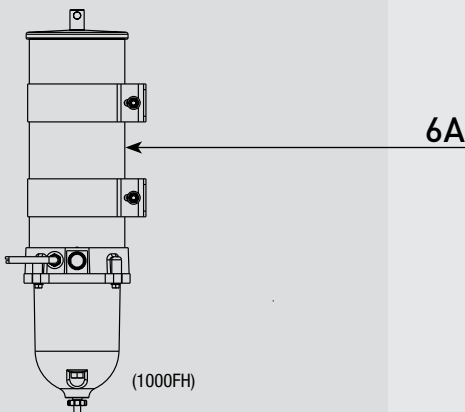
4A

5



5A

6



6A

See **RSL0292**
For 1000FH Parts Breakdown

Part #	Description
1A	Mounting Bracket - <i>Contact Technical Support</i>
1B	Manifold Assembly Bracket - <i>Contact Technical Support</i>
2A	19460 Inlet Manifold Tube (3/4"-14 NPT) - (Tan)
2B	19461 Outlet Manifold Tube (3/4"-14 NPT) - (Tan)
3A	RK 11073 Ball Valve Assembly (uses 6)
4A	Manifold tube - <i>Contact Technical Support</i>
5A	11-1761 U-bracket (uses 2)
6A	Turbine Fuel Filter - 1000FH Series (Uses 3) See Cutsheet RSL0292 for available Parts and Accessories

Accessories and Parts Available (Not Shown)

7A	RK 11-1952	Complete Seal Service Kit - 1000FH Series Filters (Requires 3)
	RK 11-1404	Complete Seal Service Kit - 1000 Series Filters For FG and Older Models (Requires 3)
7B	RK30880E	WIF Sensor and Light Kit - 1/2"-20 UNF *
	RK33802	WIF Probe Kit - 1/2"-20 UNF - Two Wire Pigtail * Water Detection Module Required - Use 7C
7C	RK 14329	Water Detection Module - 12 vdc
	RK 14321	Water Detection Module - 24 vdc
8A		Bowl Gasket - Included in 7A
8B	RK 11-1938	Bowl Kit - Includes 8A, 8C & 8D
8C	RK 20126	Bowl Plug (O-ring Included in 7A)
8D		Self-venting Drain (O-ring Included in 7A)
9A	2020V2	1000FH Replacement Element 2 micron (uses 3)
	2020V10	1000FH Replacement Element 10 micron (uses 3)
	2020V30	1000FH Replacement Element 30 micron (uses 3)

* Note: If all 3 units are used simultaneously, one probe or sensor can be used. If units are used as backups, then a probe or sensor should be installed in each bowl. Multiple probes can be wired in parallel to a single detection module.



Online Link
Turbine Series Selector



Online Link
Turbine Series
Replacement Parts Selector